

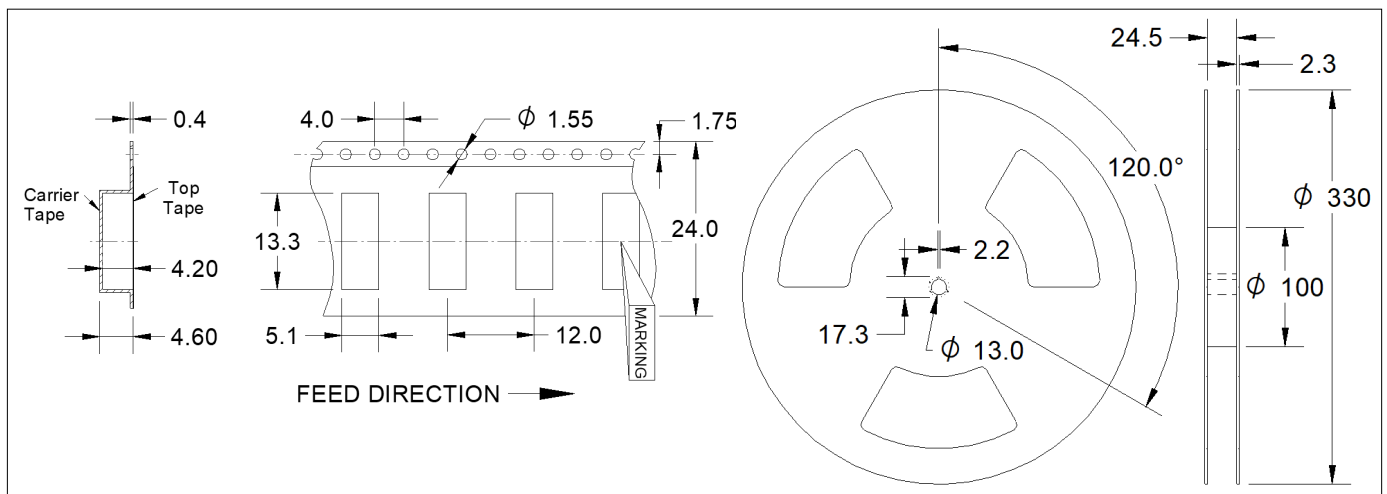
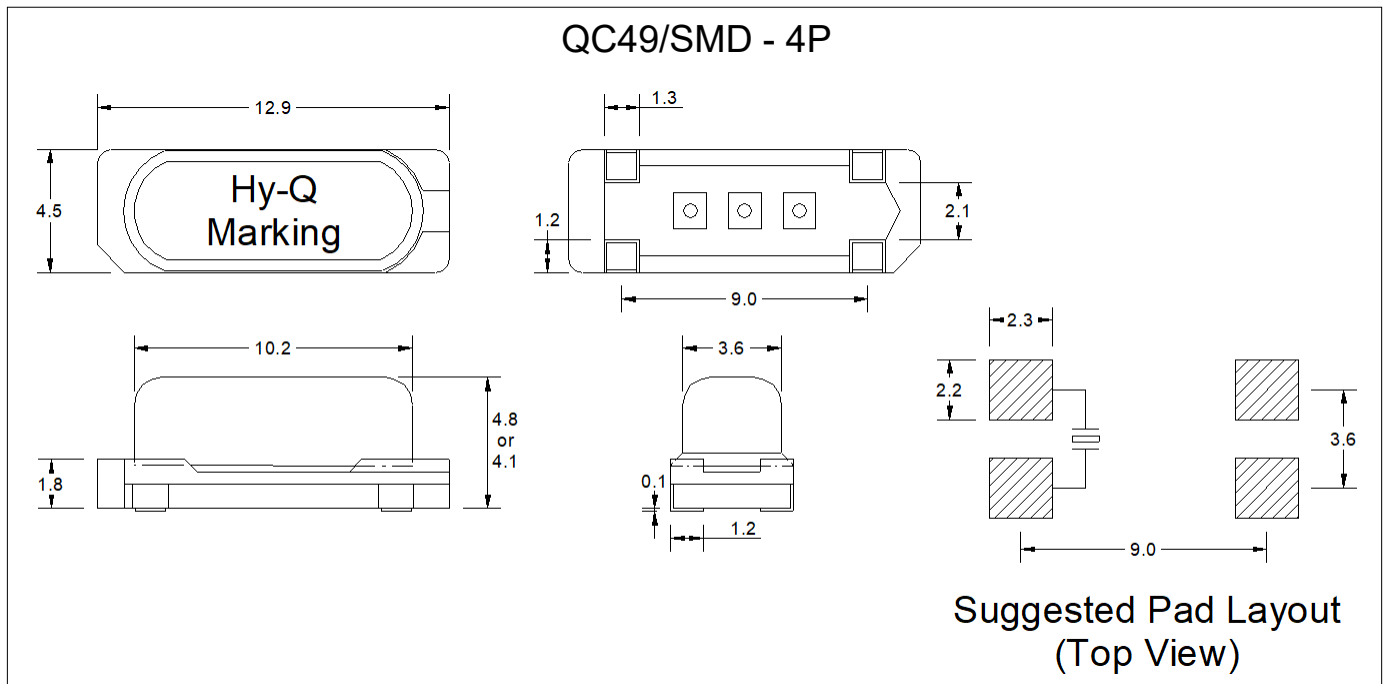
SPECIFICATIONS

Package	Frequency Range (MHz)	Frequency Tolerance @ 25°C	Frequency Stability (Ref. to 25°C)	Operating Temperature Range
QC49/SMD	3.200 ~ 70.000	±10ppm ~ ±50ppm	±10ppm ~ ±100ppm	-20°C ~ +70°C
QC49/SSMD				

Frequency Ranges (MHz)	Oscillator Mode	C _L (pF)	Equivalent Series Resistance (ESR)	Drive Level
3.200 ~ 30.000	Fundamental	Series, 8 ~ 150	40Ω ~ 300Ω	0.1mW
27.000 ~ 70.000	3rd		80Ω ~ 150Ω	



Note: The above specifications are typical only. Please contact our Sales Department for specific requirements.



SPECIFICATIONS

Package	Frequency Range (MHz)	Frequency Tolerance @ 25°C	Frequency Stability (Ref. to 25°C)	Operating Temperature Range
QC49/SMD - 4P	3.200 ~ 70.000	±10ppm ~ ±50ppm	±10ppm ~ ±100ppm	-20°C ~ +70°C

Frequency Ranges (MHz)	Oscillator Mode	C _L (pF)	Equivalent Series Resistance (ESR)	Drive Level
3.200 ~ 30.000	Fundamental	Series, 8 ~ 150	40Ω ~ 300Ω	0.1mW
27.000 ~ 70.000	3rd		80Ω ~ 150Ω	



Note: The above specifications are typical only. Please contact our Sales Department for specific requirements.