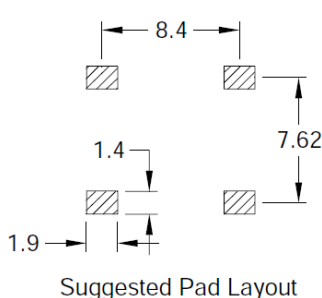
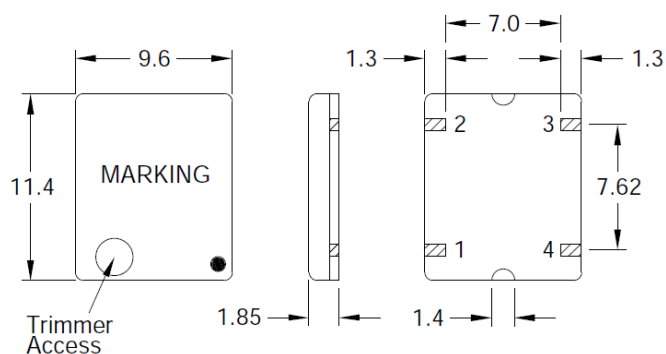


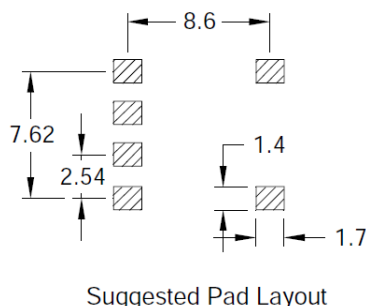
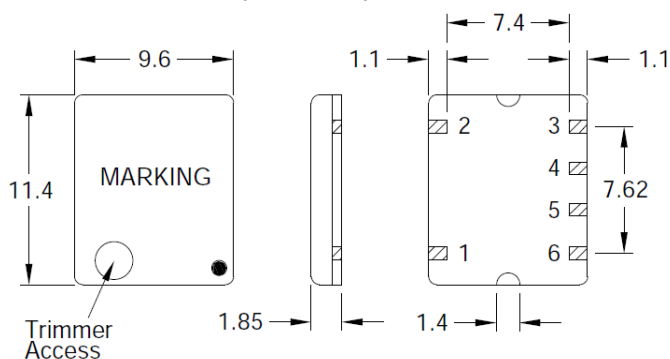
QSMO-5410 (4 Pads)



PAD CONNECTIONS

PAD 1: Vcont or NC
PAD 2: Ground
PAD 3: Out
PAD 4: +Vcc

QSMO-5420 (6 Pads)



PAD CONNECTIONS

PAD 1, 2, 4: Ground
PAD 3: Out
PAD 5: Vcont or NC
PAD 6: +Vcc

Series Number	TCXO		VCTCXO				VCTCXO	
	QSMO-5410 B	____ ⁽¹⁾ ____ ⁽²⁾	QSMO-5410 F	____ ⁽¹⁾ ____ ⁽²⁾	QSMO-5410 T	____ ⁽¹⁾ ____ ⁽²⁾	QSMO-5420 B	____ ⁽¹⁾ ____ ⁽²⁾
Standard Frequencies (MHz)	10	12.8	13	14.4	15.36	16	19.2	20
Frequency Range	9.6 ~ 40 MHz							
Overall Frequency Stability (Max) (S) ⁽¹⁾	A = ±1.0ppm (-20° ~ +70°C) B = ±2.5ppm (-30° ~ +75°C) C = ±2.5ppm (+40° ~ +85°C)							
Frequency Voltage Change (Max) ⁽³⁾	±0.3ppm / +3.0V ±5%							
Output (Min) ⁽³⁾	0.8Vp-p min (<16 MHz), 0.7Vp-p min (≥16 MHz) Clipped Sine Wave DC Cut							
Load	10k Ohms // 10pF							
Supply Voltage (V) ⁽²⁾	L = +3.0V ±5% M = +3.3V ±5% S = +5.0V ±5%							
Current (Max) ⁽³⁾	1.5mA (<16 MHz), 2.0mA (≥16 MHz)							
Aging (Max)	±1.0ppm / Year @ 25°C							
Frequency Adjustment (Min)	±3.0ppm						Trimmerless	
Control Voltage	N/A		±5ppm ~ ±10ppm (+1.5V ±1V)				±8ppm ~ ±14ppm (+1.5V ±1V)	
Preset Frequency (Max)	±0.5ppm / +25°C ±2°C						±2ppm / +25°C ±2°C	

Note (1): Customer to add 'A' or 'B' or 'C' to part number for Frequency Stability (S)

Note (2): Customer to add 'L' or 'M' or 'S' to part number for Supply Voltage (V)

Note (3): Subject to change based on supply voltage

Note: The above specifications are typical only. Please contact our Sales Department for specific requirements.

