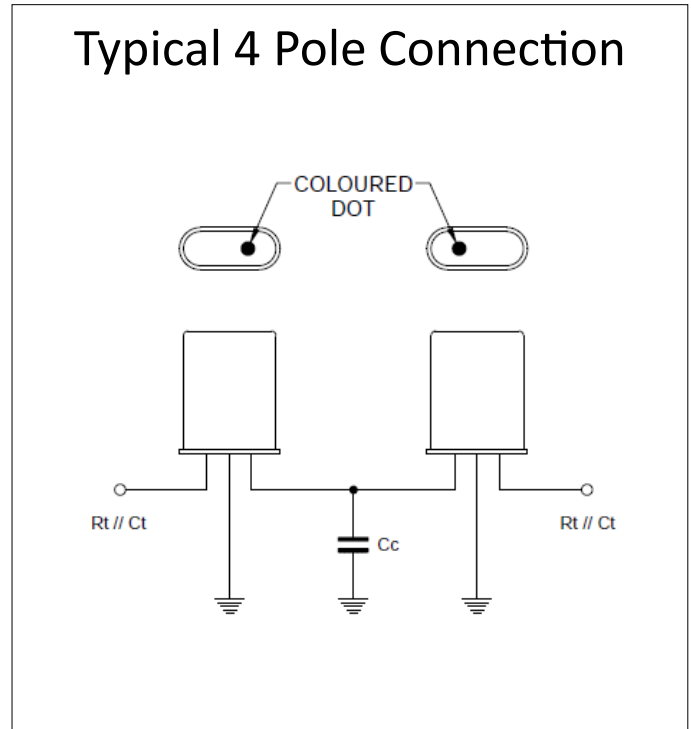
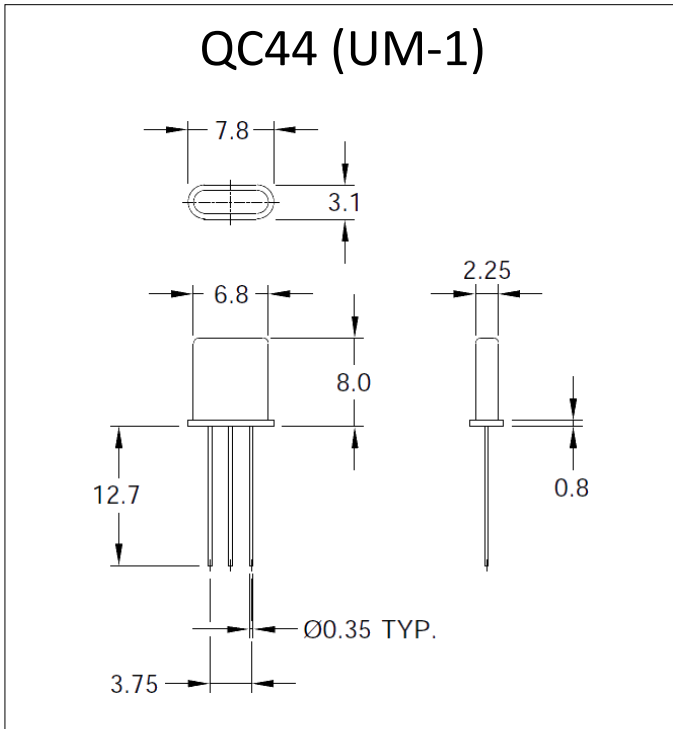


## SPECIFICATIONS — FUNDAMENTAL

Series No.	Nominal Frequency (MHz)	Pole	Pass Bandwidth		Attenuation Bandwidth		Ripple (dB max.)	Loss (dB max.)	Attenuation Guaranteed		Terminal Impedance (ohm // pF)	Operating Temperature °C	Case Qty.
			(dB)	(kHz)	(dB)	(kHz)			(dB)	F0 ~ ±kHz			
45F7A	45.000	2	3	±3.75	10	±12.5	1.0	2.5	65	±910	300 // 10.0	-20 ~ +70	1
45F7B	45.000	4	3	±3.75	30	±12.5	1.0	4.0	90	±910	300 // 8.0	-20 ~ +70	2
45F15A	45.000	2	3	±7.5	15	±25.0	1.0	2.0	40	+500 ~ +1000 -200 ~ -1000	650 // 4.5	-20 ~ +70	1
45F15B	45.000	4	3	±7.5	30	±25.0	1.0	3.0	70	+500 ~ +1000 -200 ~ -1000	650 // 1.5	-20 ~ +70	2
45F20A	45.000	2	3	±10.0	15	±34.0	1.0	2.0	35	+500 ~ +1000 -200 ~ -1000	700 // 2.5	-20 ~ +70	1
45F20B	45.000	4	3	±10.0	40	±48.0	1.0	3.0	70	+500 ~ +1000 -200 ~ -1000	700 // 1.5	-20 ~ +70	2
45F30A	45.000	2	3	±15.0	15	±50.0	1.0	2.0	35	+500 ~ +1000 -300 ~ -1000	800 // 1.5	-20 ~ +70	1
45F30B	45.000	4	3	±15.0	40	±60.0	1.0	3.0	70	+500 ~ +1000 -300 ~ -1000	800 // 1.0	-20 ~ +70	2

**Note:** The above specifications are typical only. Please contact our Sales Department for specific requirements.





### SPECIFICATIONS — 3rd OVERTONE

Series No.	Nominal Frequency (MHz)	Pole	Pass Bandwidth		Attenuation Bandwidth		Ripple (dB max.)	Loss (dB max.)	Attenuation Guaranteed		Terminal Impedance (ohm // pF)	Operating Temperature °C	Case Qty.
			(dB)	(kHz)	(dB)	(kHz)			(dB)	F0 ~ ±kHz			
45M7A	45.000	2	3	±3.75	10	±12.5	1.0	2.5	35	±910	2500 // -1.5	-20 ~ +70	1
45M7B	45.000	4	3	±3.75	30	±12.5	1.0	4.0	75	±910	2500 // -1.5	-20 ~ +70	2
45M15A	45.000	2	3	±7.5	18	±28.0	1.0	2.0	35	+500 ~ +1000 -200 ~ -1000	4000 // -1.0	-20 ~ +70	1
45M15B	45.000	4	3	±7.5	40	±30.0	1.0	3.0	70	+500 ~ +1000 -200 ~ -1000	4000 // -1.0	-20 ~ +70	2
45M20A	45.000	2	3	±10.0	15	±30.0	1.0	2.0	35	+500 ~ +1000 -200 ~ -1000	5000 // -1.0	-20 ~ +70	1
45M20B	45.000	4	3	±10.0	35	±40.0	1.0	3.0	70	+500 ~ +1000 -200 ~ -1000	5000 // -1.0	-20 ~ +70	2
45M30A	45.000	2	3	±15.0	15	±50.0	1.0	2.0	30	+500 ~ +1000 -300 ~ -1000	8000 // -1.0	-20 ~ +70	1
45M30B	45.000	4	3	±15.0	30	±50.0	1.0	3.0	70	+500 ~ +1000 -300 ~ -1000	8000 // -1.0	-20 ~ +70	2

**Note:** The above specifications are typical only. Please contact our Sales Department for specific requirements.

