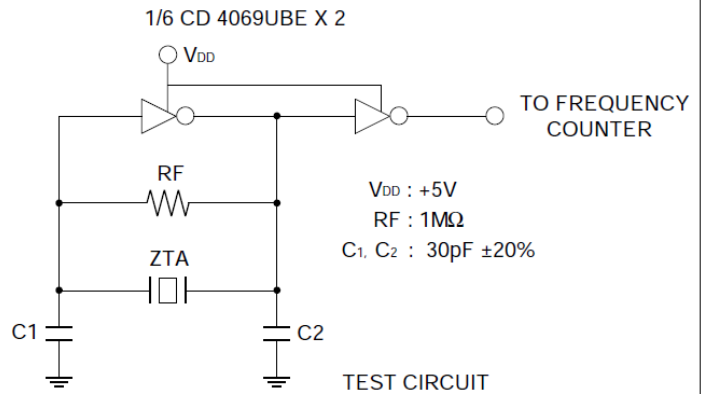
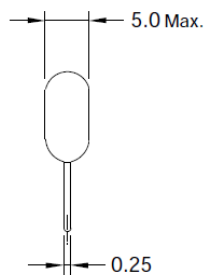
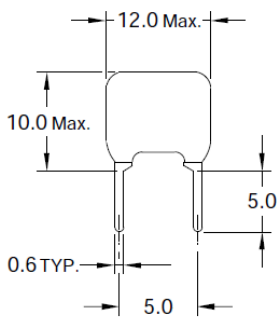
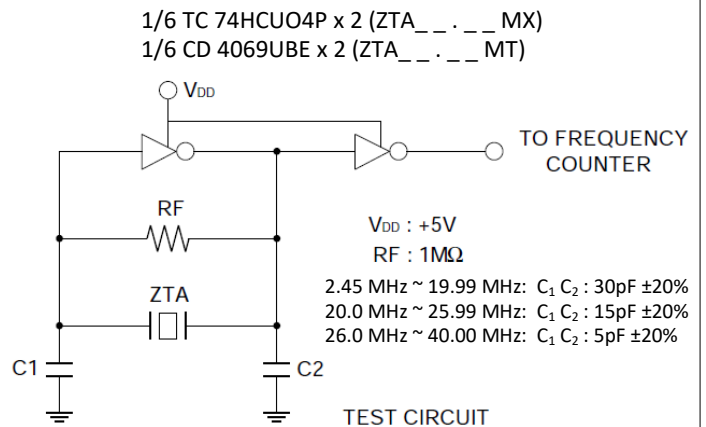
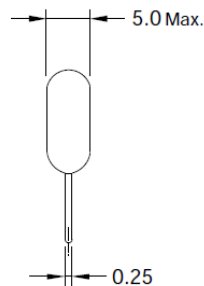
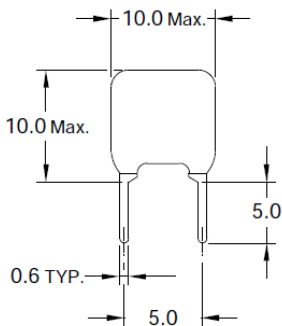


2.00 to 2.44 MHz



2.45 to 40.00 MHz



Part Number	ZTA... MG	ZTA... MT	ZTA... MX
Frequency Range (MHz)	2.00 ~ 6.00	6.01 ~ 12.00	12.01 ~ 40.00
Frequency Accuracy at 25°C	±0.3%	±0.3%	±0.3%
Stability at Temperature -20°C to +80°C	±0.3%	±0.5%	±0.3%
Aging for Ten Years	±0.3%	±0.5%	±0.3%
Resonant Resistance (Ω Maximum)	80	30	55
Withstanding Voltage (5 Seconds Maximum)	100V DC	100V DC	100V DC
Isolation Resistance (Ω Maximum)	5 x 10 ⁸ Ω Min. (at 10V DC)	5 x 10 ⁸ Ω Min. (at 10V DC)	5 x 10 ⁸ Ω Min. (at 10V DC)

Note: The above specifications are typical only. Please contact our Sales Department for specific requirements.
All dimensions are accurate, product shape may vary.

