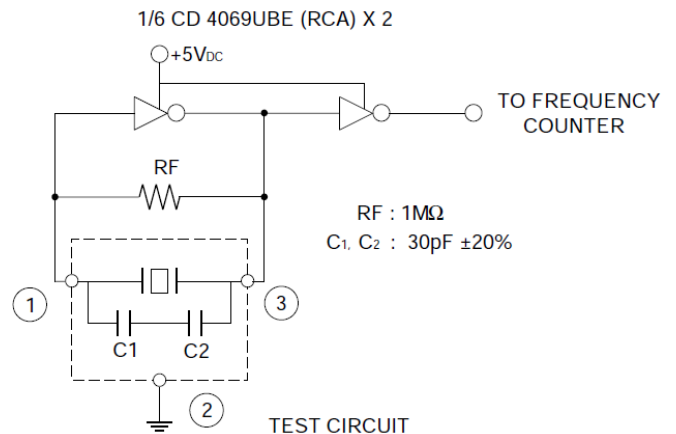
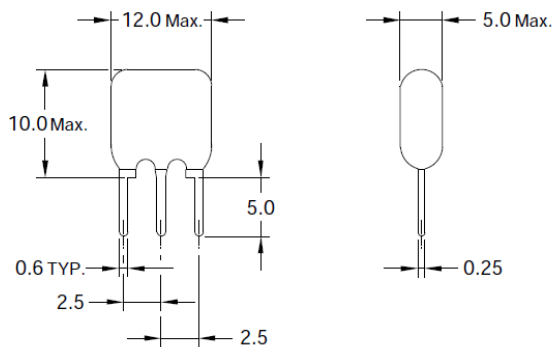
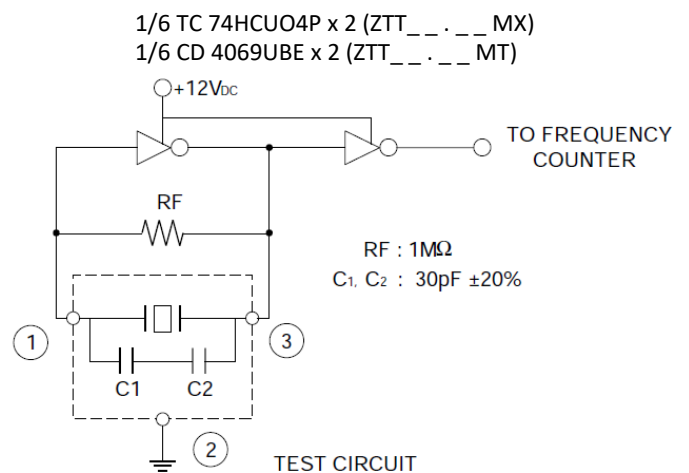
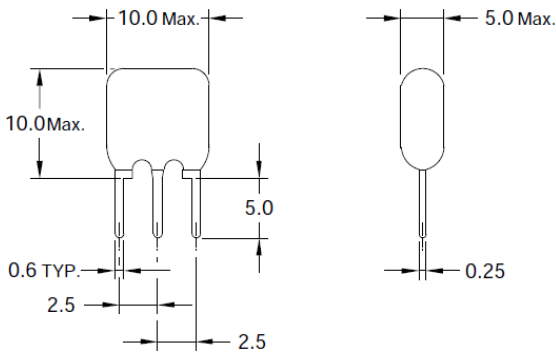


### 2.00 to 2.44 MHz (with built-in load capacitance)



### 5.00 to 40.00 MHz (with built-in load capacitance)



Part Number	ZTT___.__MG	ZTT___.__MT	ZTT___.__MX
Frequency Range (MHz)	2.00 ~ 6.00	6.01 ~ 12.00	12.01 ~ 40.00
Frequency Accuracy at 25°C	±0.3%	±0.3%	±0.3%
Stability at Temperature -20°C to +80°C	±0.3%	±0.5%	±0.3%
Aging for Ten Years	±0.3%	±0.3%	±0.3%
Resonant Resistance (Ω Maximum)	80	50	55
Withstanding Voltage (5 Seconds Maximum)	100V DC	100V DC	100V DC
Isolation Resistance (Ω Maximum)	5 x 10 <sup>8</sup> Ω Min. (at 10V DC)	5 x 10 <sup>8</sup> Ω Min. (at 10V DC)	5 x 10 <sup>8</sup> Ω Min. (at 10V DC)

**Note:** The above specifications are typical only. Please contact our Sales Department for specific requirements.  
All dimensions are accurate, product shape may vary.

