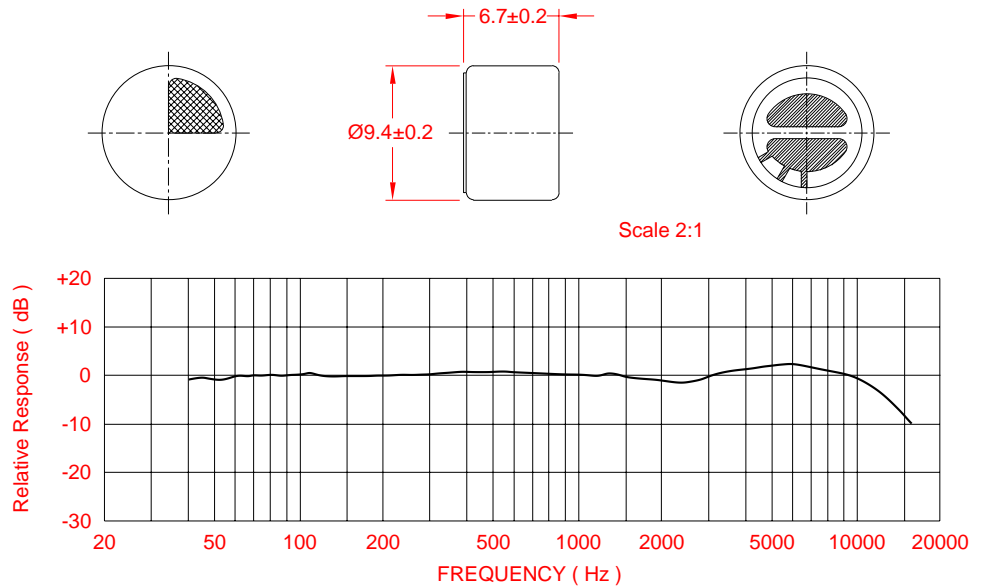


FM-4F1

- USEFUL FOR ALMOST ANY TYPE OF TELEPHONE AND OTHER APPLICATIONS.
- LOW OPERATION VOLTAGE OF 1.0 VOLT TO 10 VOLT.
- MICROPHONE WITH PINS FOR PRINTED CIRCUIT BOARD.

SENSITIVITY	
<input type="checkbox"/>	-54dB±2
<input type="checkbox"/>	-56dB±2
<input type="checkbox"/>	-58dB±2
<input type="checkbox"/>	-60dB±2
<input type="checkbox"/>	-62dB±2
<input type="checkbox"/>	-64dB±2
<input type="checkbox"/>	-66dB±2
<input type="checkbox"/>	-68dB±2
<input type="checkbox"/>	-70dB±2
<input type="checkbox"/>	-72dB±2



SPECIFICATION	
SENSITIVITY	Refer above (0dB=1Volt / 1µBar, 1kHz)
IMPEDANCE	Low impedance
DIRECTIVITY	Omnidirectional
FREQUENCY	20 Hz to 16,000 Hz
MAXIMUM OPERATING VOLTAGE	10 Volt
STANDARD OPERATING VOLTAGE	1.5 Volt
CURRENT CONSUMPTION	Maximum 0.3mA
SENSITIVITY REDUCTION (M.H.) (P.R.U.)	Within -3dB at 1 Volt Within -2dB at 1 volt
S/N RATIO	More than 60dB

APPLICATIONS
1. Telephone and telephone answering devices.
2. Built-in microphones for tape recorders.
3. Intercoms.
4. Completed microphones for recording, testing and monitoring.
5. Sonic controlled toys and sensors.
6. Others.

