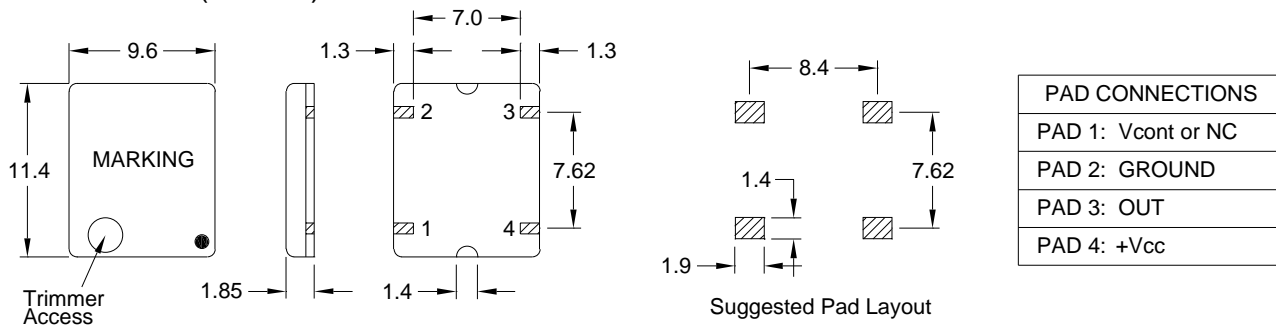
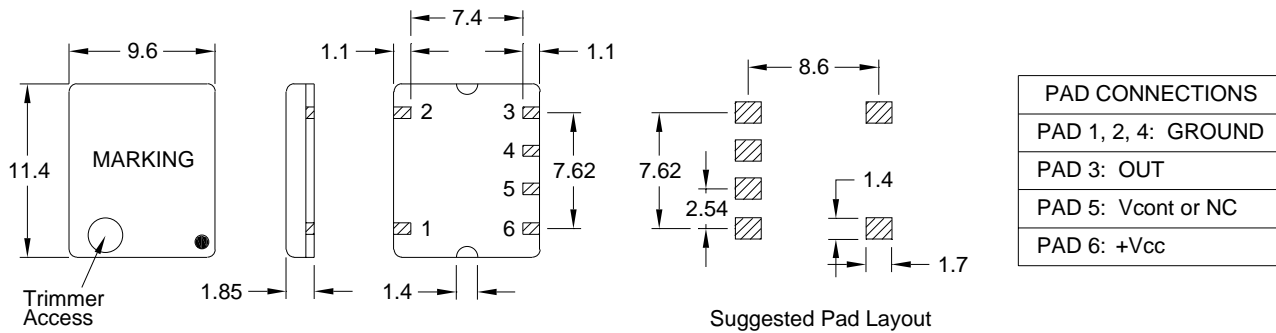


QSMO-5410 (4 Pads)



QSMO-5420 (6 Pads)



SPECIFICATION

| SERIES NUMBER | TCXO | VCTCXO | VCTCXO |
|-------------------------------|---|--|--|
| | QSMO-5410 B (S) (V) ⁽¹⁾ QSMO-5420 B (S) (V) ⁽¹⁾ | QSMO-5410 F (S) (V) ⁽¹⁾ QSMO-5420 F (S) (V) ⁽¹⁾ | QSMO-5410 T (S) (V) ⁽¹⁾ QSMO-5420 T (S) (V) ⁽¹⁾ |
| STANDARD FREQUENCY | 10 MHz, 12.8 MHz, 13 MHz, 14.4 MHz, 15.36 MHz, 16 MHz, 19.2 MHz, 20 MHz | | |
| FREQUENCY RANGE | 9.6 ~ 40 MHz | | |
| FREQUENCY STABILITY (Max) (S) | A = ±1.0ppm (-20 ~ +70°C), B = ±2.5ppm (-30 ~ +75°C), C = ±2.5ppm (-40 ~ +85°C) | | |
| FREQ / VOLTAGE CHANGE (Max) | ±0.3ppm / +3.0v ±5% | | |
| OUTPUT (Min) | 0.8Vp-p min (< 16 MHz), 0.7Vp-p min (16 MHz) Clipped Sine Wave DC Cut | | |
| LOAD | 10k Ohms // 10pF | | |
| SUPPLY VOLTAGE (V) | L = +3.0v ±5% M = +3.3v ±5% S = +5.0v ±5% | | |
| CURRENT (Max) | 1.5mA (< 16 MHz), 2.0mA (16 MHz) | | |
| AGING (Max) | ±1.0ppm / Year @25°C | | |
| FREQUENCY ADJUSTMENT (Min) | ±3.0ppm | | Trimmerless |
| CONTROL VOLTAGE | N/A | ±5ppm ~ ±10ppm (+1.5V ±1V) | ±8ppm ~ ±14ppm (+1.5V ±1V) |
| PRESET FREQUENCY (Max) | ±0.5ppm / +25°C ±2°C | | ±2ppm / +25°C ±2°C |

Note (1): Customer to add 'A' or 'B' or 'C' for Frequency Stability (S), and 'L' or 'M' or 'S' for Supply Voltage (V)