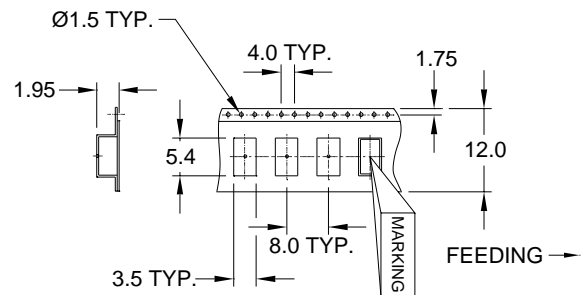
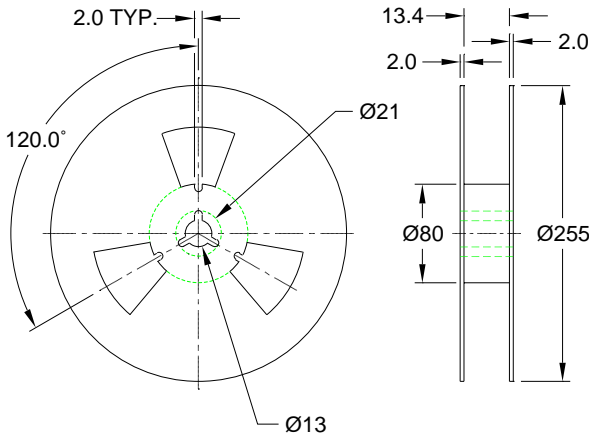
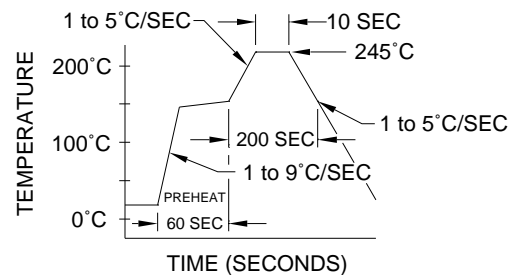


CARRIER TAPE AND REEL DIMENSIONS



INFRARED RAYS REFLOW



SPECIFICATION

FREQUENCY RANGE	12.5 ~ 19.8MHz
FREQUENCY STABILITY (Max)	±2.5ppm over -30°C ~ +80°C (Reference at 25°C)
FREQUENCY / VOLTAGE CHANGE (Max)	±0.3ppm
OUTPUT (Min)	0.8Vp-p
LOAD	10kΩ//10pF
SUPPLY VOLTAGE	+2.8V ±5%
CURRENT (Max)	1.5mA
AGING (Max)	±1.0ppm per year @ 25°C
VOLTAGE CONTROL	±7ppm Min (+1.4V ±1V)