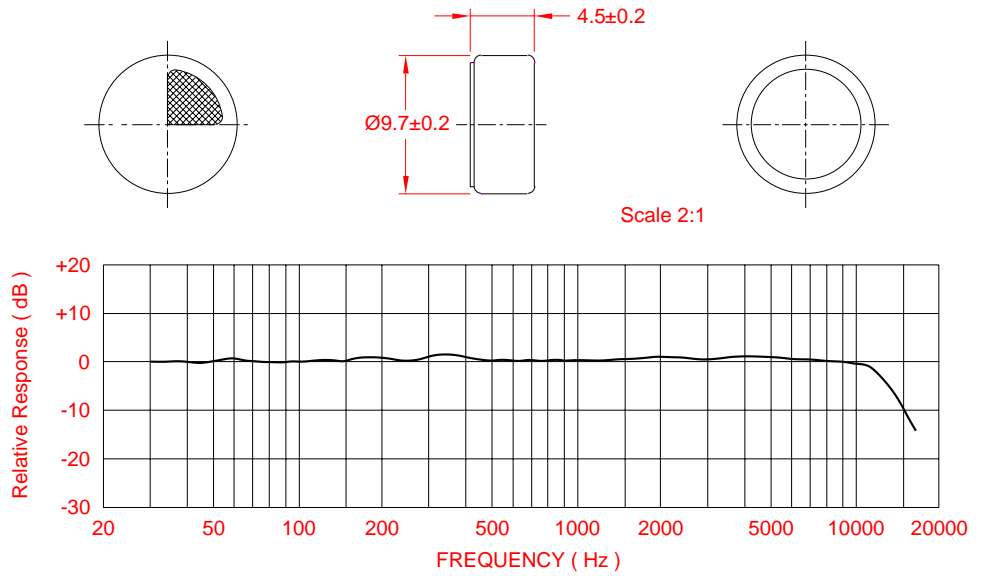


FM-54F1

- HIGH PERFORMANCE, COST EFFECTIVE ELECTRET CONDENSER MICROPHONE CARTRIDGE.
- FM-54F1 SERIES ARE LOW VOLTAGE 1.5 VOLT OPERATION MICROPHONE AND SUITABLE FOR ALL TELEPHONE APPLICATIONS, INTERCOMS AND COMPUTERS.

SENSITIVITY	
<input type="checkbox"/>	-54dB±2
<input type="checkbox"/>	-56dB±2
<input type="checkbox"/>	-58dB±2
<input type="checkbox"/>	-60dB±2
<input type="checkbox"/>	-62dB±2
<input type="checkbox"/>	-64dB±2
<input type="checkbox"/>	-66dB±2
<input type="checkbox"/>	-68dB±2
<input type="checkbox"/>	-70dB±2
<input type="checkbox"/>	-72dB±2



SPECIFICATION	
SENSITIVITY	Refer above (0dB=1Volt / 1µBar, 1kHz)
IMPEDANCE	Low impedance
DIRECTIVITY	Omnidirectional
FREQUENCY	20 Hz to 16,000 Hz
MAXIMUM OPERATING VOLTAGE	10 Volt
STANDARD OPERATING VOLTAGE	1.5 Volt
CURRENT CONSUMPTION	Maximum 0.3mA
SENSITIVITY REDUCTION (M.H.)	Within -3dB at 1 Volt
S/N RATIO	More than 60dB

APPLICATIONS
1. Telephone handsets.
2. Telephone answering devices.
3. Intercoms.
4. Computers.
5. Others.

