

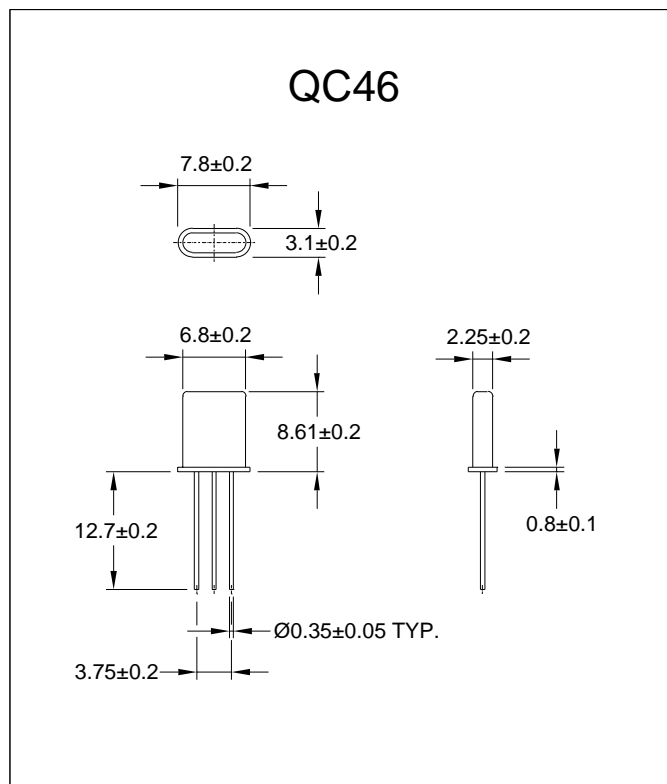
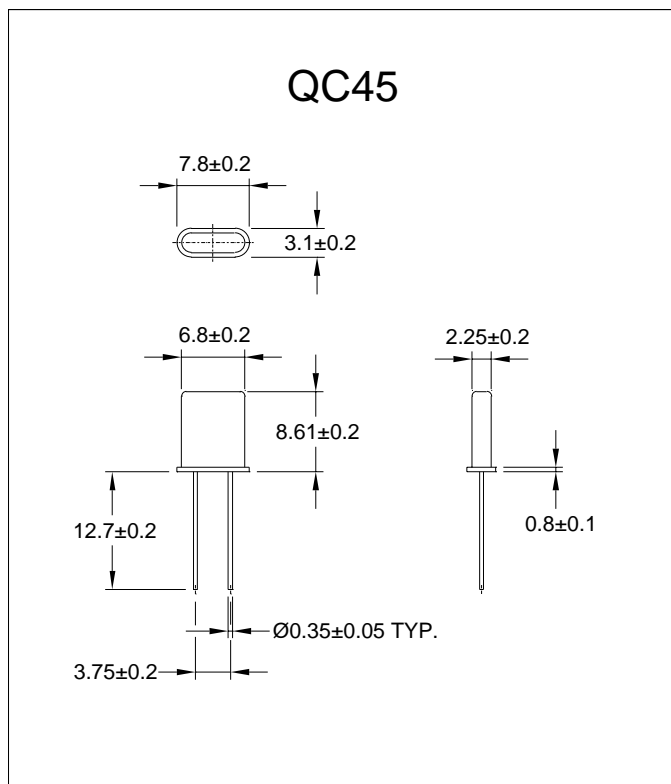
STANDARD PERFORMANCE REPRESENTATION

- Temperature Range -10°C to 60°C
- Stability (ppm) ± 3 to ± 100
- Load Capacitance (C_L) Series to 150pF
- Calibration ppm at 25°C ± 5 to ± 50 ($\pm 10\text{ppm}$ typical)
- ESR R_1 Refer table
- Shunt (C_O) 7pF Maximum
- Motional Capacitance (C_1) Refer table
- Drive Level 0.5mW Typical

Mode	Frequency Range (MHz)	Max. ESR (Ohms)*	C_1 Typ. (fF)*
Fund.	8 to 45	25 to 90	6 to 25
3rd	25 to 90	35 to 50	0.5 to 1.5
5th	60 to 150	60	0.70
7th	125 to 175	120	0.35
9th	175 to 200	120	0.20

Note:

Above parameters are for standard crystal units.
 Hy-Q sales office should be contacted for special requirements.
 * Value dependent upon frequency.



STANDARD PERFORMANCE REPRESENTATION

- Temperature Range -10°C to 60°C
- Stability (ppm) ± 3 to ± 100
- Load Capacitance (C_L) Series to 150pF
- Calibration ppm at 25°C ± 5 to ± 50 (± 10 ppm typical)
- ESR R_1 Refer table
- Shunt (C_O) 7pF Maximum
- Motional Capacitance (C_1) Refer table
- Drive Level 0.5mW Typical

Mode	Frequency Range (MHz)	Max. ESR (Ohms)*	C_1 Typ. (fF)*
Fund.	8 to 45	25 to 90	6 to 25
3rd	25 to 90	35 to 50	0.5 to 1.5
5th	60 to 150	60	0.70
7th	125 to 175	120	0.35
9th	175 to 200	120	0.20

Note:

Above parameters are for standard crystal units.
 Hy-Q sales office should be contacted for special requirements.
 * Value dependent upon frequency.