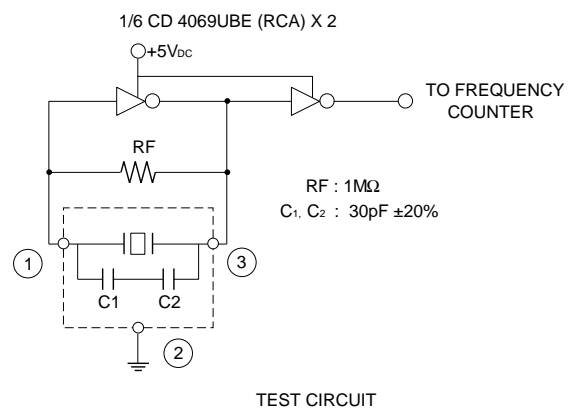
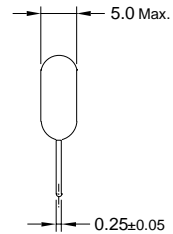
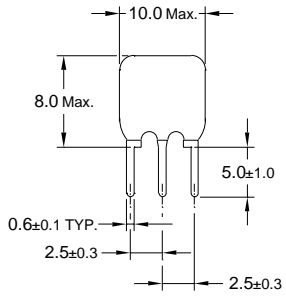
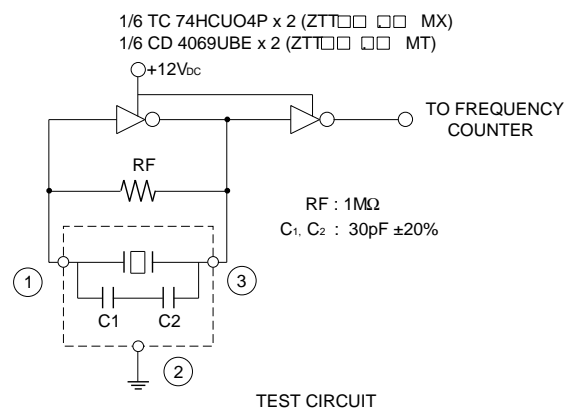
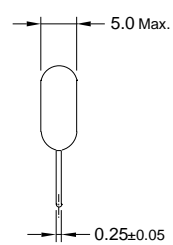
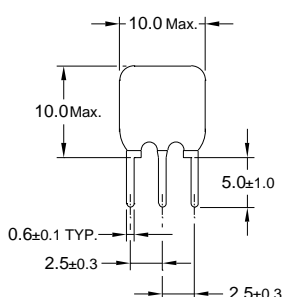


2.00 to 4.99 MHz (With Built-In Load Capacitance)



TEST CIRCUIT

5.00 to 25.00 MHz (With Built-In Load Capacitance)



TEST CIRCUIT

SPECIFICATION

PART NUMBER	ZTT□.□□ MG	ZTT□.□□ MG	ZTT□.□□ MG	ZTT□.□□ MT	ZTT□□.□□ MT	ZTT□□.□□ MX
FREQUENCY RANGE (MHz)	2.00 to 2.99	3.00 to 3.49	3.50 to 4.99	5.00 to 6.99	7.00 to 13.00	13.01 to 25.00
FREQUENCY ACCURACY AT 25°C	±0.5	±0.5	±0.5	±0.5	±0.5	±0.5
STABILITY IN TEMPERATURE -20°C to +80°C (%)	±0.3	±0.3	±0.3	±0.3	±0.3	±0.3
AGING FOR TEN YEARS (%)	±0.3	±0.3	±0.3	±0.3	±0.3	±0.3
RESONANT RESISTANCE Ω Maximum	80	50	30	30	25	55
WITHSTANDING VOLTAGE (5 Seconds Maximum)	100V DC	100V DC	100V DC	100V DC	100V DC	100V DC
ISOLATION RESISTANCE Ω Maximum	5 x 10 ⁸ Ω Min. (at 10V DC)	5 x 10 ⁸ Ω Min. (at 10V DC)	5 x 10 ⁸ Ω Min. (at 10V DC)	5 x 10 ⁸ Ω Min. (at 10V DC)	5 x 10 ⁸ Ω Min. (at 10V DC)	5 x 10 ⁸ Ω Min. (at 10V DC)